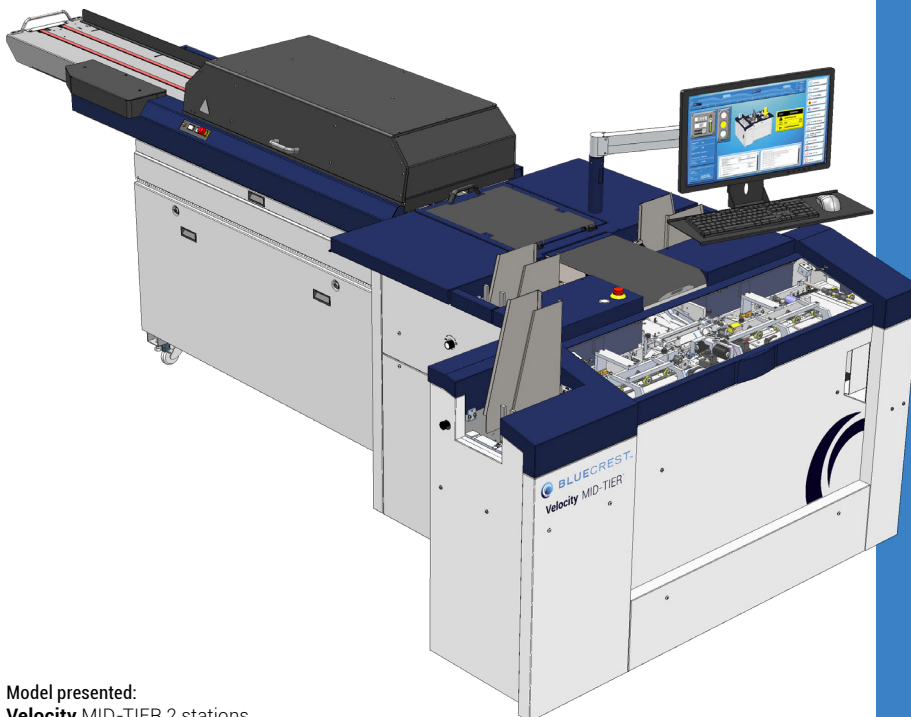


## Velocity MID-TIER®

Inserting with high-speed MID-TIER® input.

- 6-roll folder (manual folding pockets as standard or automatic folding as an option).
- Reading face up or down of all types of codes (OMR, BCR, Datamatrix, OCR).  
Optional line scan: read the entire document.

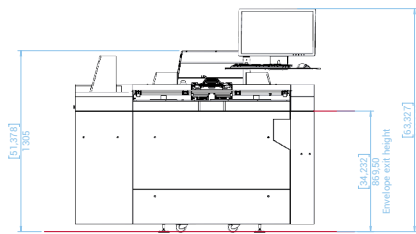


Model presented:  
Velocity MID-TIER 2 stations

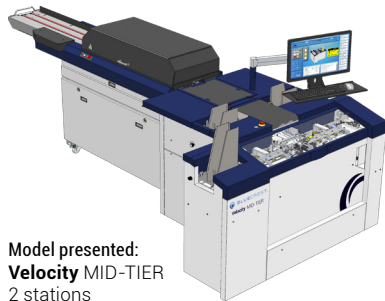
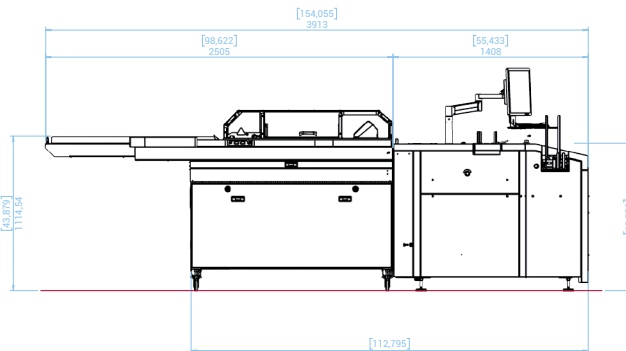
- Maximum page feeder capacity up to 3,500 sheets.
- Continuous loading.
- Sheet feeding by suction.
- Sheet feeder up to 30,000 sheets per hour.
- Accumulate and group fold up to 10 half-fold and 7 tri-fold sheets.
- No decrease in machine frame speed (12K) up to 3 sheets folded together.
- Chassis available in 2 or 4 auxiliary stations.
- Envelope format from DL (220 x 110 mm) to C5 (229 x 162 mm).
- Option on-board industrial marking.
- Options available at machine output.

# Velocity MID-TIER®

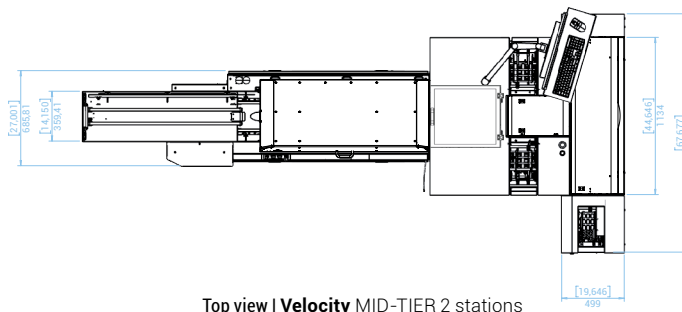
Front view | Velocity MID-TIER  
2 stations + 4 stations



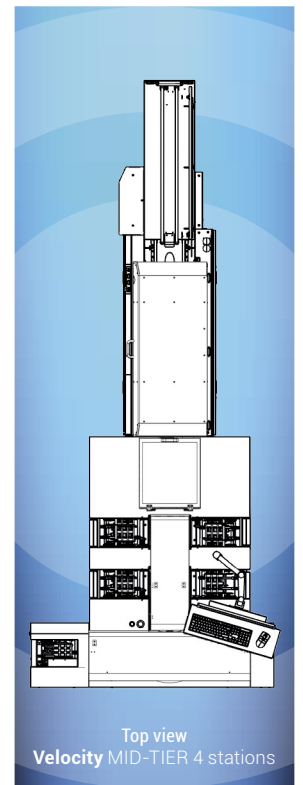
Side view | Velocity MID-TIER 2 stations



Model presented:  
Velocity MID-TIER  
2 stations



Top view | Velocity MID-TIER 2 stations



Top view  
Velocity MID-TIER 4 stations

Technical specifications	Velocity MID-TIER 2 stations	Velocity MID-TIER 4 stations
Dimensions maxi. (L x W x H)	3 913 x 1 719 x 1 608 mm	4 336 x 1 719 x 1 608 mm
Net weight	890 kg	970 kg
Option	Up to 2 additional feeders	Up to 4 additional feeders
Power supply	• 120 / 240 V ca • 50 / 60 Hz • 14 A	
Temperature in operation	• Min. 15 °C • Max. 30 °C	
Relative Humidity	• Min. 20 % • Max. 80 %	
Output per hour	Max. 12 000 / hour, de 1-3 documents folded together	
Size of envelopes	From DL (220 x 110 mm) to C5 (229 x 162 mm)	
Maximum Envelope Thickness	C6/5 and C5 : 3,5 mm	
Types of envelopes	• Standard paper envelope • Machineable Envelopes	